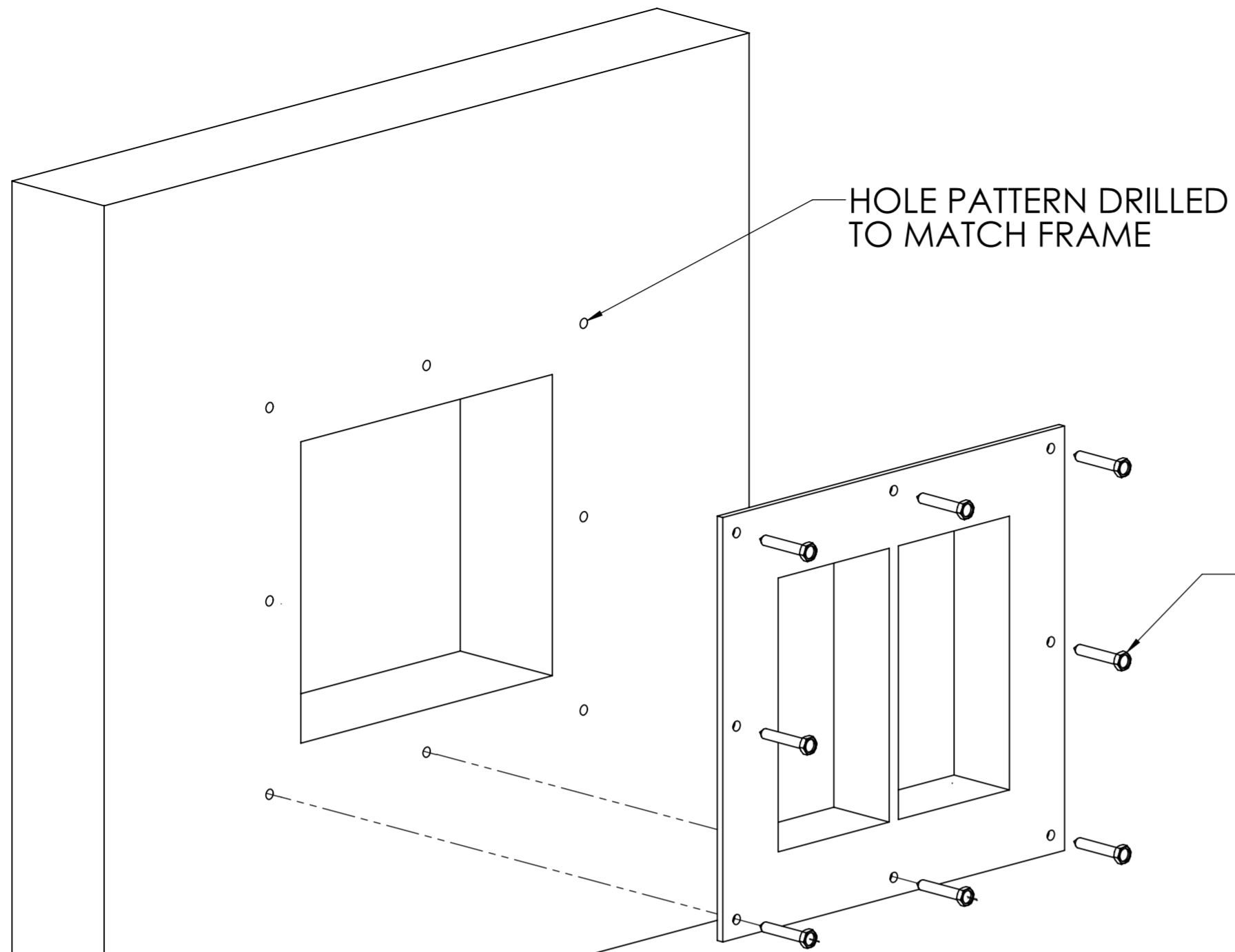
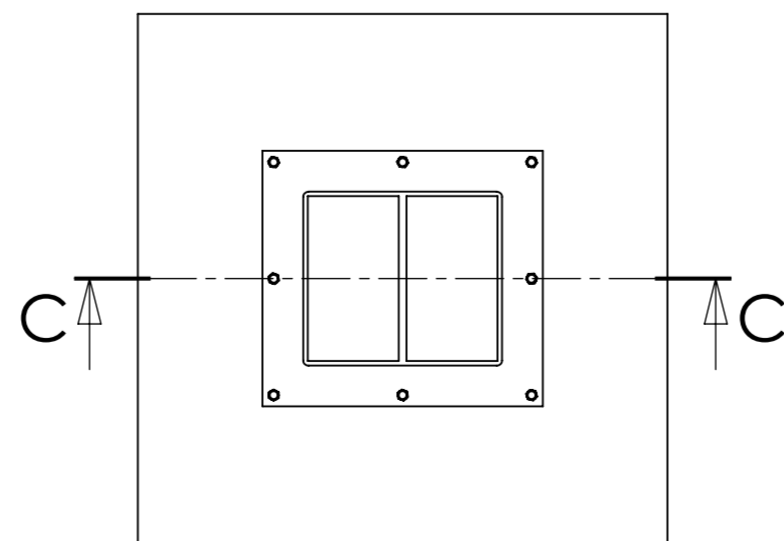
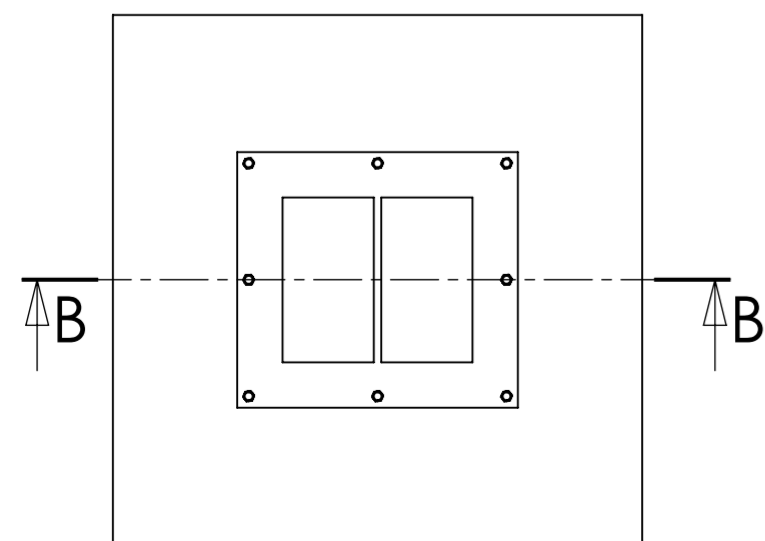
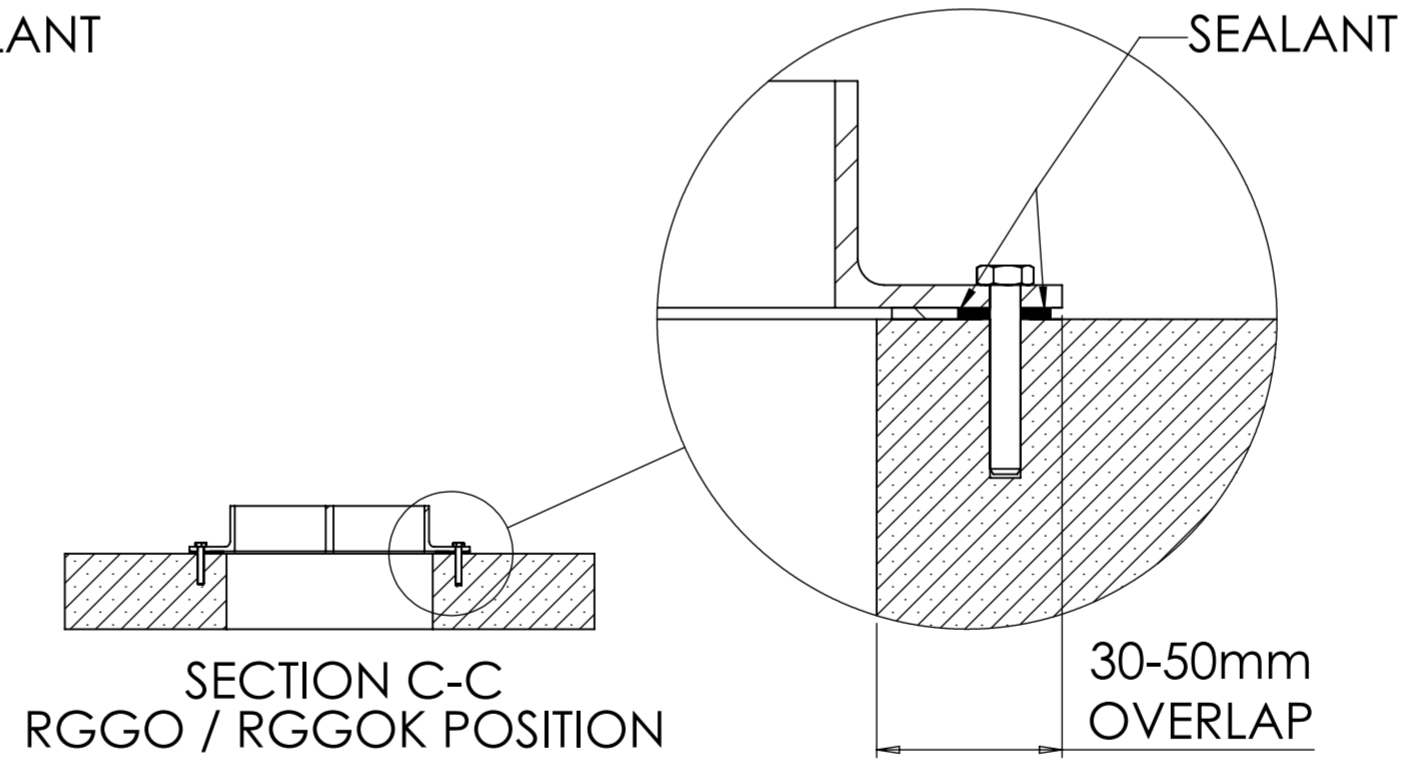
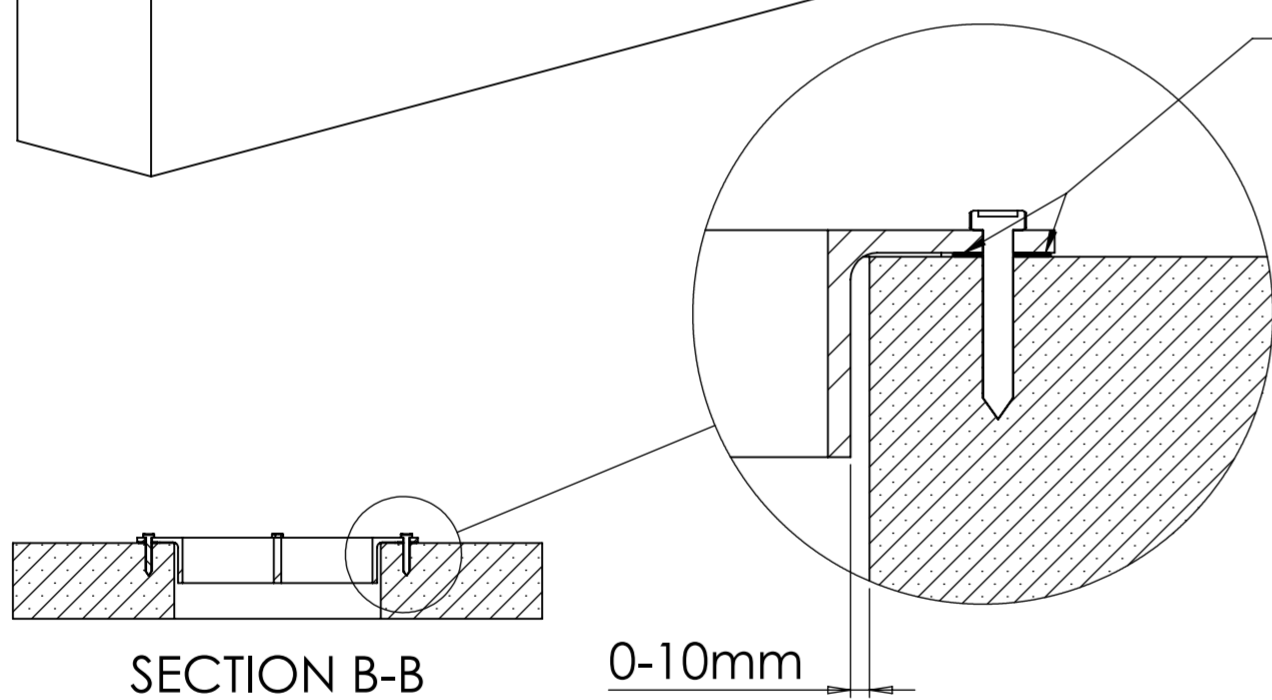
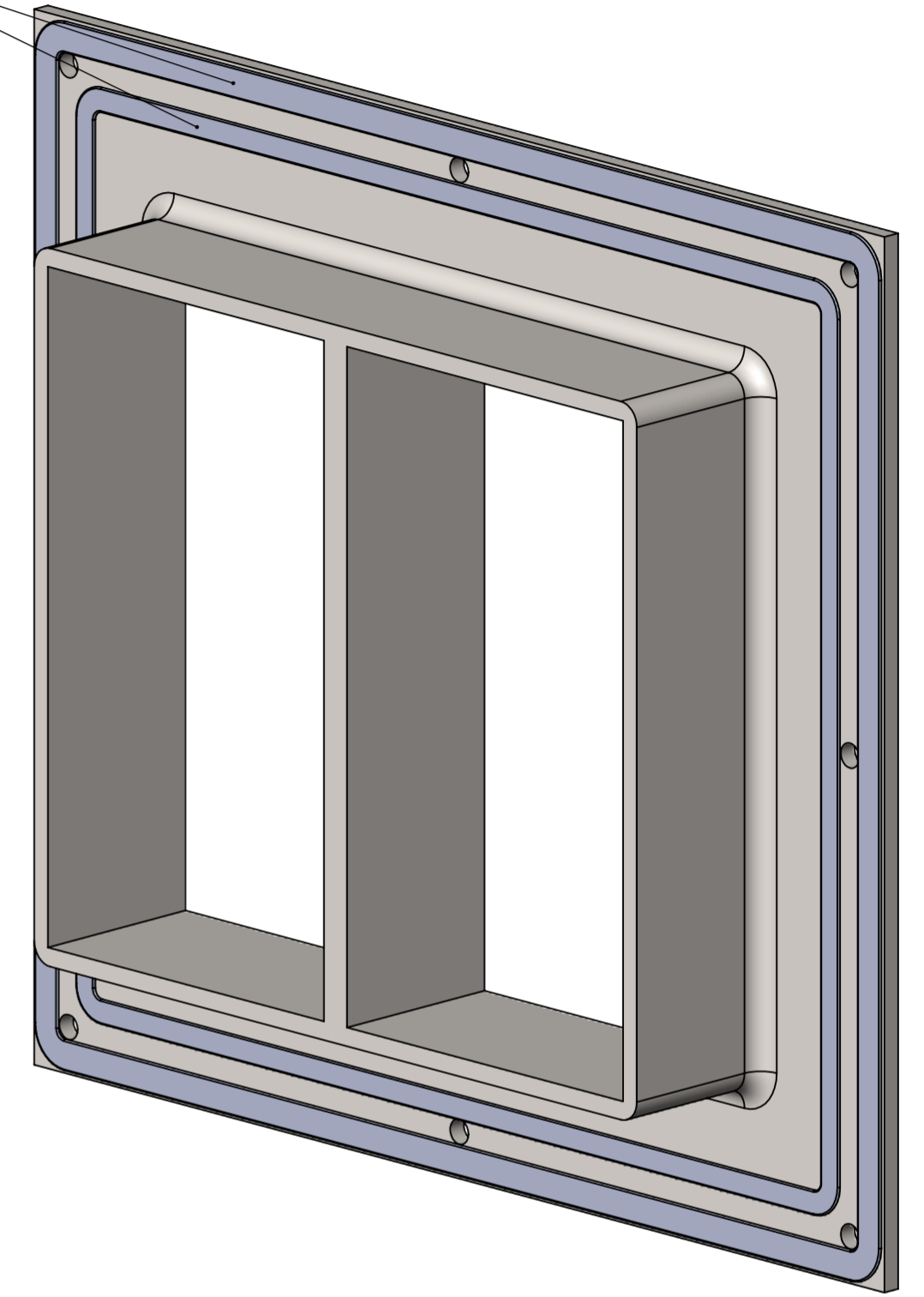


THIS DOCUMENT MUST NOT BE COPIED WITHOUT OUR WRITTEN PERMISSION, AND THE CONTENTS THEREOF MUST NOT BE IMPARTED TO A THIRD PARTY NOR BE USED FOR ANY UNAPPROVED PURPOSE. CONTRAVENTION WILL BE PROSECUTED.

REVISIONS			
REV.	DESCRIPTION	DATE	SIGNATURE
A		2014-08-18	AK
B	ADDED POSITION FOR RGGO / RGGOK	2020-09-02	JA



TWO STRINGS OF SELANT ON THE SIDE THAT IS FACING THE WALL / FLOOR



Ritad Drawn	Kontr. Check	Granskad Reviewed	Godkänd Approved	Tolerans där ej annat anges Tolerance unless otherwise not stated.	Smsl. nr. Assembly drawing no.	Ersätter Replaces	E
AK	JA	AK	BJ	Ytjämnhet där ej annat anges. Surface finish otherwise not stated.	Material	Ersatt av Replaced of	Vikt Weight
140818	200903	200903	200903	Alla mått och uppgifter avser färdig produkt om ej annat anges. All measures and other information refer to finished products unless otherwise not stated.		Kund ordernr. Customer order no.	
				INSTALLATION INSTRUCTION RGB / RGG / RGGO / RGGOK - CONCRETE WALL		Ritn. nr. Draw. no.	Rev.
						1140356	B